

EURO TROLLEY

Operating Instructions



Content

| | | |
|----------|--|-----------|
| 1 | General information | 3 |
| 1.1 | About these instructions..... | 3 |
| 1.2 | Product description..... | 3 |
| 1.3 | Intended use..... | 3 |
| 2 | Safety instructions..... | 3 |
| 2.1 | Safety warnings, notes and visual check..... | 4 |
| 3 | Overview | 5 |
| 4 | Components | 6 |
| 5 | Using the Euro Trolley..... | 7 |
| 5.1 | Using the Euro Trolley with the Euro Stacking Frame 120/80 | 7 |
| 5.2 | Using with the Euro Lattice Box..... | 9 |
| 5.3 | Using with the Uni Mesh Panel Rack..... | 10 |
| 6 | Stacking and transporting Euro Trolleys | 11 |

1 General information

1.1 About these instructions

These instructions describe how to safely use the HÜNNEBECK Euro Trolley (part code 607610).

1.2 Product description

The HÜNNEBECK transport equipment shown in these operating instructions can be moved with the aid of the Euro Trolley. The transport equipment can also be attached to the Euro Trolley and moved as one unit with a crane.

1.3 Intended use

The Euro Trolley may be used only to transport a single piece of the HÜNNEBECK transport equipment shown in these operating instructions. The load capacity of the Euro Trolley is 1300 kg.

To transport the Euro Trolley by crane, it has to be securely fastened to the transport equipment using the four locks. Otherwise the Euro Trolley may detach from the transport equipment when it is moved by crane.

2 Safety instructions

1. Do not stand or walk under suspended loads!
2. Do not endanger persons within the swivel range of the crane!
3. Wear appropriate personal protective equipment!
4. Before using the Euro Trolley, check that the locks and brakes function properly! Do not use the Euro Trolley if it is damaged or malfunctioning!
5. Never place more than one item of transport equipment on the Euro Trolley!
6. Place only approved transport equipment on the Euro Trolley! No other loads are permitted!
7. The Euro Trolley should only be pushed! Never pull the Euro Trolley!
8. Always guide the Euro Trolley with your hands when moving it! Never move the Euro Trolley without holding onto it and guiding it!
9. Lock the brakes when the Euro Trolley is parked!
10. Do not roll or park the Euro Trolley on inclined surfaces such as ramps!

Safety instructions

11. Before transporting by crane, verify that all four locks are closed properly and the transport equipment is securely fastened to the Euro Trolley.
12. Lift, transport and set down loads in a manner that prevents them from unintentionally falling over, falling apart or slipping!
13. Do not move loads when the wind speed is greater than 15 m/s or 54 km/h (Bft 7)! The load must be able to be transported safely!
14. The angle of the lifting gear on the crane hook may not exceed 60°. Do not knot steel wires and steel chains. Untwist twisted chains before attaching them!
15. Attach the crane only to the transport equipment! Never attach the crane directly to the Euro Trolley!
16. When necessary, a forklift can be used to load transport equipment onto the Euro Trolley. Check that the spacing of the forks on the forklift is suitable for the equipment. Do not damage the Euro Trolley with the forklift!
17. When transporting the Euro Trolley by crane, set it down gently! Setting it down too quickly can damage the castors!

2.1 Safety warnings, notes and visual check

The following warnings and notes appear throughout this document and warn of danger! Read the notes carefully! Follow the instructions to avoid hazards/damage to persons, the environment and the material!



DANGER

Danger!

DANGER indicates a hazardous situation which, if not avoided, will result in death or serious injury.



WARNING

Warning!

WARNING indicates a hazardous situation which, if not avoided, could result in death or serious injury.



CAUTION

Caution!

Caution indicates a hazardous situation that, if not avoided, can cause minor or moderate injury.

NOTE

Note!

Note indicates a hazard that can cause property damage.

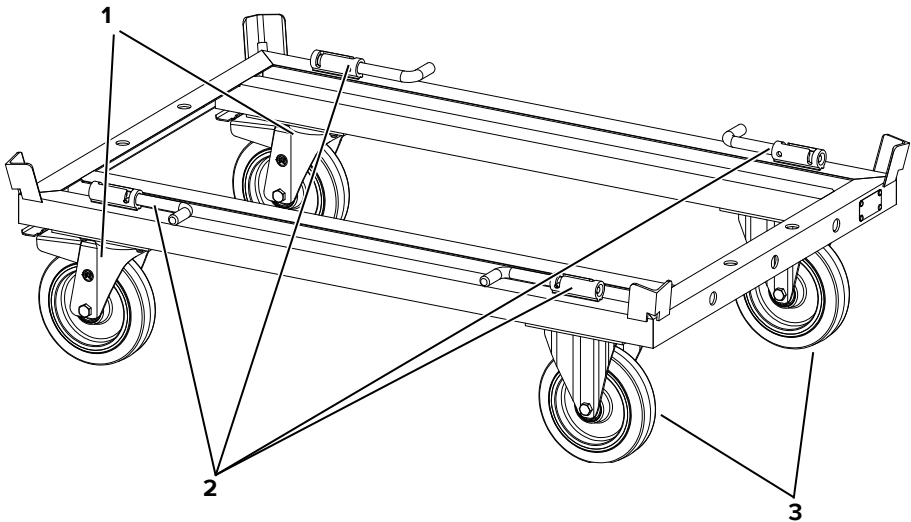
TIP

Tips share practical experience with the user, e.g. how to perform a task more easily or quickly.

 **Visual Check****Visual inspection!**

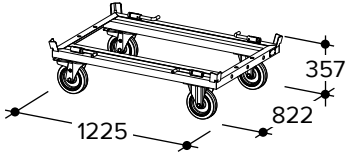
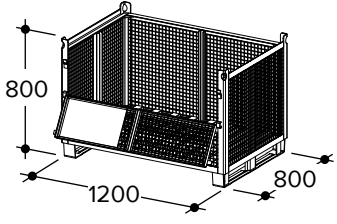
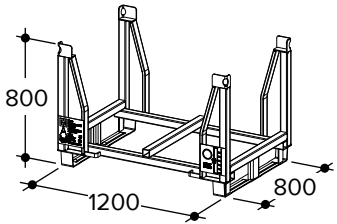
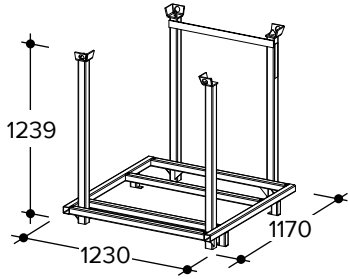
Visual inspection indicates that an additional inspection is required.

3 Overview



- 1 Swivel castors with parking brake
- 2 Locks, marked red
- 3 Fixed castors

4 Components

| | Component | Part code | Weight [kg] |
|--|---|---------------|--------------|
|  | <p>Euro Trolley</p> <p>Used to manually transport approved HÜNNEBECK transport equipment.</p> <p>The Euro Trolley has two lockable swivel castors.</p> <p>Working load: 1300 kg</p> | 607610 | 39.52 |
|  | <p>Euro Lattice Box</p> <p>Used to store and transport small items.</p> <p>Can be moved using the Euro Trolley.</p> <p>Working load: 1200 kg.</p> | 548480 | 68.76 |
|  | <p>Euro Stacking Frame 120/80</p> <p>Used to store and transport e.g. Europlus^{new} Props, Du-Al Beams, H 20 K-beams.</p> <p>Can be moved using the Euro Trolley.</p> <p>Working load: 1200 kg.</p> | 553689 | 54.47 |
|  | <p>Uni Mesh Panel Rack</p> <p>Used to store and transport up to 50no. Uni Mesh Panels</p> <p>Can be moved using the Euro Trolley.</p> <p>Working load: 1050 kg.</p> | 605558 | 52.72 |

5 Using the Euro Trolley

Use of the Euro Trolley is described here, with the Euro Stacking Frame 120/80 as an example. Then sample applications for the approved transport equipment are shown. Always secure each item of transport equipment with the locks on the Euro Trolley! The locks are red to increase visibility.

Do not move the Euro Trolley onto inclines. Always secure the Euro Trolley with both brakes when it is parked. The parking brakes are on the swivel castors.



WARNING

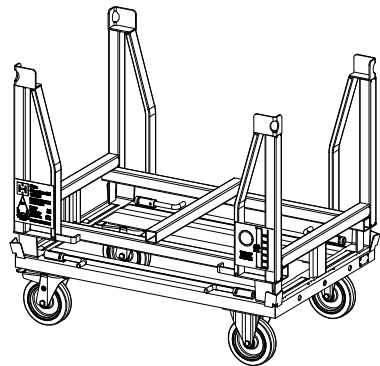
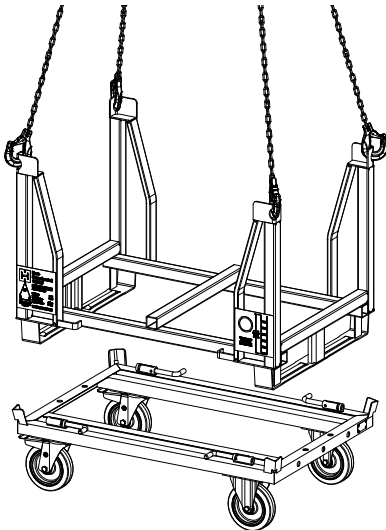
Hazard posed by falling components!

If the locks on the Euro Trolley are not secured properly, the Euro Trolley can fall when being moved by crane!
This can cause personal injury or death!
Secure all four locks correctly! Check that the locks are secure before moving the equipment by crane!

5.1 Using the Euro Trolley with the Euro Stacking Frame 120/80

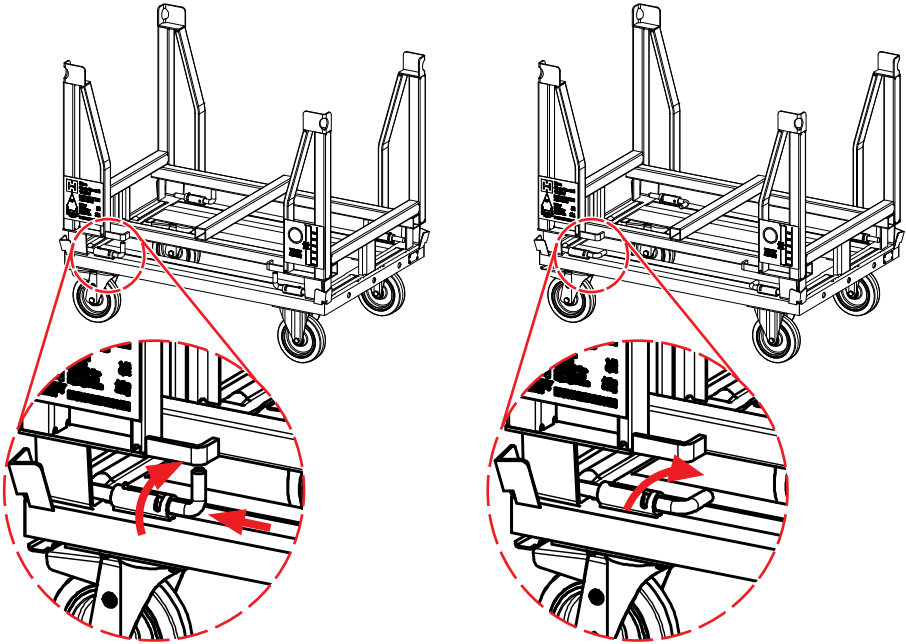
Step 1 Open all four locks. The red marks face outward.

Step 2 Use a crane to set the Euro Stacking Frame on the Euro Trolley.



Using the Euro Trolley

Step 3 Secure the Euro Stacking Frame with all four locks. Pull up the locks, slide them into the frame, and then push them down towards the interior of the Euro Trolley.

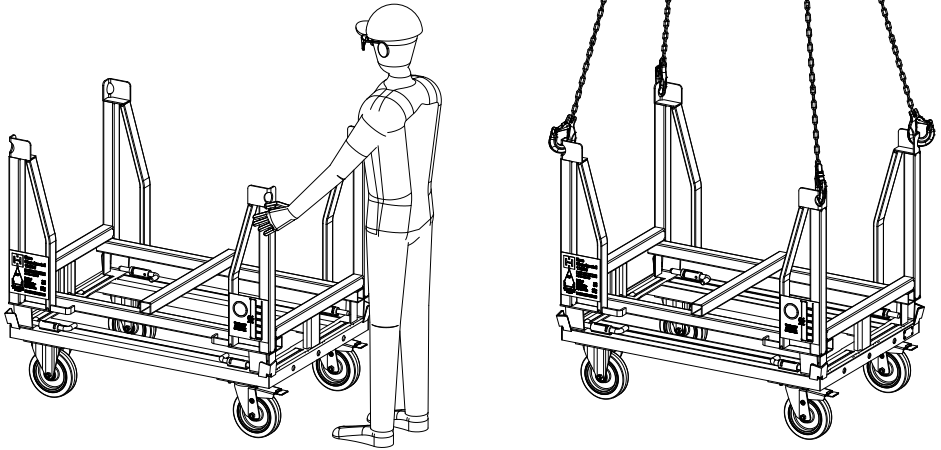


Visual inspection

Check the locks!

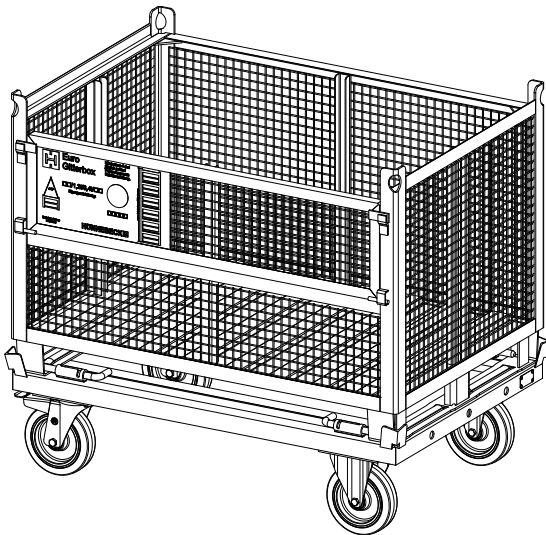
Verify that all locks are closed! The red marks should all face inward!

Step 4 Roll the Euro Trolley or hoist it with a crane.



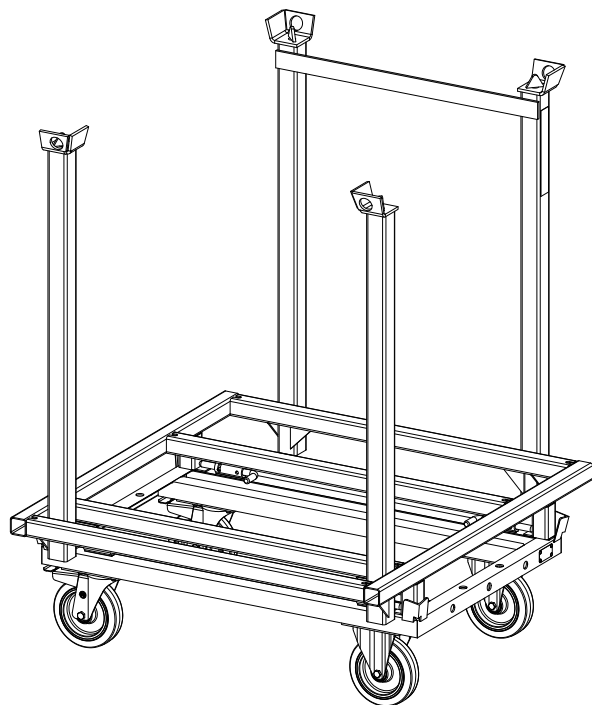
Step 5 To unload the Euro Stacking Frame, release the four locks in reverse order. Lift the Euro Stacking Frame off of the Euro Trolley

5.2 Using with the Euro Lattice Box



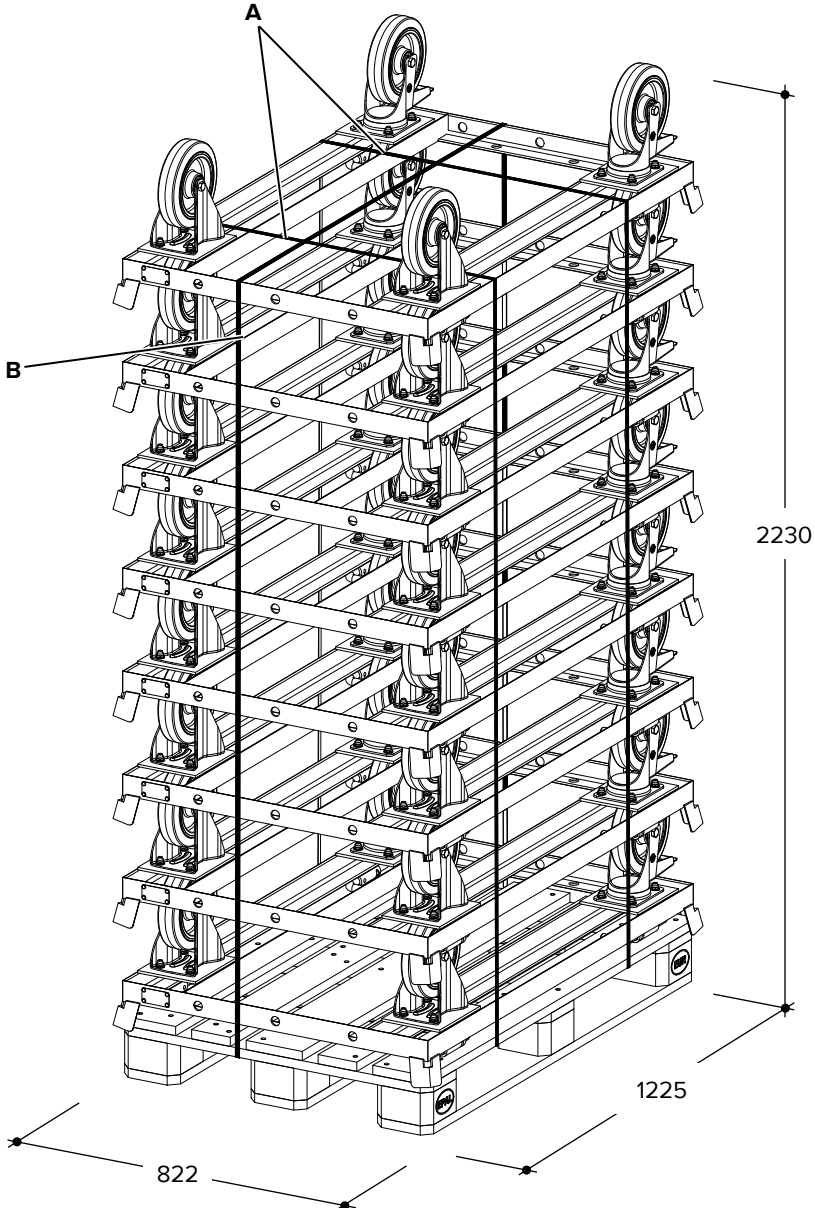
Using the Euro Trolley

5.3 Using with the Uni Mesh Panel Rack



6 Stacking and transporting Euro Trolleys

Up to nine Euro Trolleys can be stacked on top of one another on a Europallet to transport them with a forklift or lorry. Always wrap two steel bands (**A**) across the longer sides and one steel band (**B**) across the width of the Euro Trolleys to secure the stack!



Hünnebeck
Deutschland GmbH
Rehhecke 80
D-40885 Ratingen
+49 2102 9371
info_de@huennebeck.com
www.huennebeck.de

The copyright to this document belongs to BrandSafway. All the trademarks named in this document are the property of BrandSafway, unless marked as third-party rights or identifiable as such in another way. Hünnebeck, SGB and Aluma Systems are trademarks of BrandSafway. Furthermore, all rights are reserved, particularly with regard to patent grant or utility model registration. The unauthorised use of this document, of the trademarks contained therein and other intellectual property rights is expressly prohibited and represents an infringement of copyright, trademark rights and other industrial property rights.

The illustrations contained in this document reflect normal operation at a construction site and are not always correct in regard to safety issues.

Last modified February 2020
Keep for later use!